

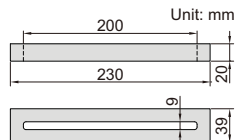
# DIAL DEPTH GAGES



2342-202

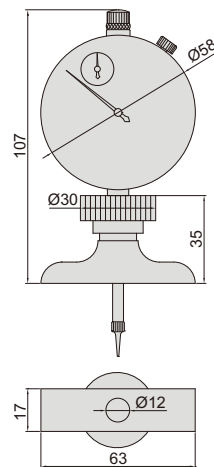


2141-10 (optional),  
can be customized  
according to workpieces

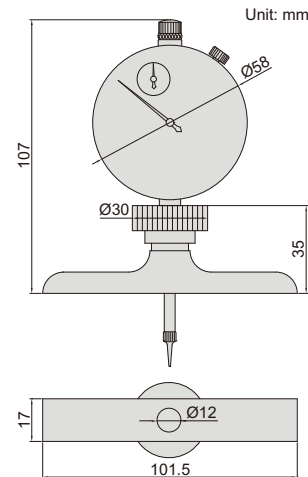


- Dial indicator graduation: 0.01mm
- Accuracy:  $\pm 0.03\text{mm}$
- Stainless steel base
- Extension rods: 25mm (1 pc), 50mm (1 pc), 75mm (1 pc), 100mm (2 pcs)
- Supplied with pointed tip and ball tip
- Optional accessory:  
granite extension holder (code 2141-10)

Code	Range	Dial indicator stroke	Base
2342-201	0-300mm	30mm	63x17mm
2342-202	0-300mm	30mm	101.5x17mm

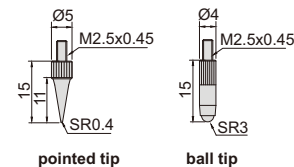


2342-201



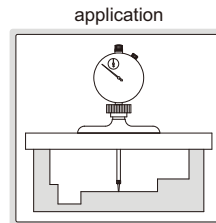
2342-202

Unit: mm

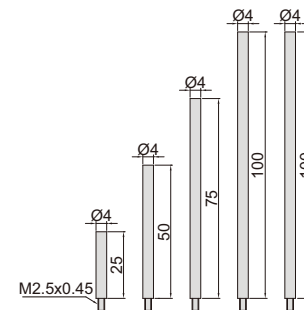


pointed tip

ball tip



application



extension rods